

# SWP-99

- multi-channel meter with graphic display
- up to 8 inputs 0/4-20 mA
- power supply output: 24V DC / 200 mA
- RS-485 / Modbus RTU



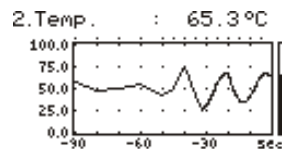
The SWP-99 indicator is intended for displaying current values from 8 measuring channels. Each channel can be individually designated (described) with any measuring unit. The LCD graphical display allows for visualization of the values from all 8 channels simultaneously. A significant advantage is possibility of viewing the trends in each measuring channel as the graphs for the last 12 seconds or about 1,5 minutes.

- programmable measuring range,
- simultaneous display of values from 8 measuring channels,
- viewing the trends in each of 8 measuring channels,
- any text description possible: name and units,
- data transfer to the master system via an RS-485 interface,
- password protected,
- programmable indication filtration,
- versions available with AC and DC power supply.

## Przykładowy wygląd wyświetlacza

13:55:53 TUE 26.07.2005	
1. Poziom	14,51 m
2. Temp.	62,5 °C
3. Ciśnienie	68,8 kPa
4. Masa	61,88 kg
5. Wilgotność	98,9 %
6. Prąd	59,33 mA
7. Napięcie	0,0 U AC
8. Przepływ	82,9 m <sup>3</sup> /h

8-channel view displayed at the same time

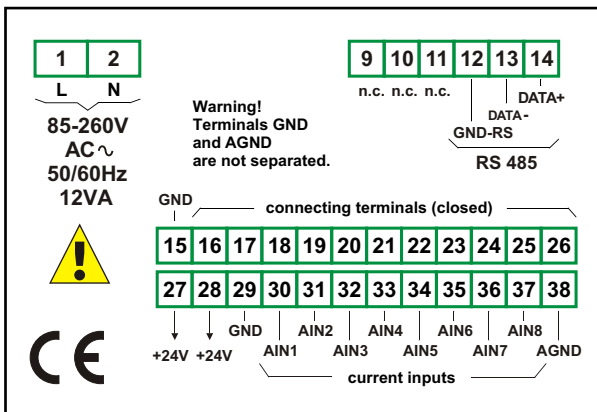


the history of the process in time



the current value of the measurement signal  
The height of the digits: 18 mm

## Exemplary pin assignment



## Technical data

- Power supply:** 19V + 50V DC; 16V + 35V AC or 85 + 260V AC/DC
- Power consumption:** typical 7 VA; max. 12 VA
- Display:** with backlighting, graphic LCD, 128 x 64 points
- Measuring inputs:** 2, 4 or 8 inputs 0/4-20 mA, common earthing
- Measuring range:** ± 9999 + decimal point
- Accuracy:** ± 0,25% ± one digit in the entire operation range
- Transducer power supply output:** 24V DC ± 5% / max. 200 mA, stabilized, not insulated from measuring inputs
- Communication interface:** RS 485, galvanically separated
- Transmission protocol:** MODBUS RTU
- Transmission speed:** 1200 - 115200 bit/sec.
- Operating temperature:** 0°C + +50°C
- Storage temperature:** -10°C + +70°C
- Protection class:** IP 65 (front side when an additional frame is installed); IP 40 (front side); IP 20 (case and connection clips)
- Case:** board
- Case material:** NORYL - GFN2S E1
- Case dimensions:** 96 x 96 x 100 mm
- Panel cut-out dimensions:** 90,5 x 90,5 mm
- Installation depth:** min. 102 mm
- Board thickness:** max. 5 mm

## Ordering

SWP-99-X100-1-X-XX

**options:**  
01 : IP65

**power supply:**  
3 : 24V - 48V AC  
4 : 85V - 260V AC/DC

**number of channels:**  
2 : 2 x 0/4-20 mA  
4 : 4 x 0/4-20 mA  
8 : 8 x 0/4-20 mA