

SRL-49

- process meter with bargraph
- input 0/4-20 mA
- 2 or 4 relay outputs (or OC)
- RS-485 / Modbus RTU
- option: active current output

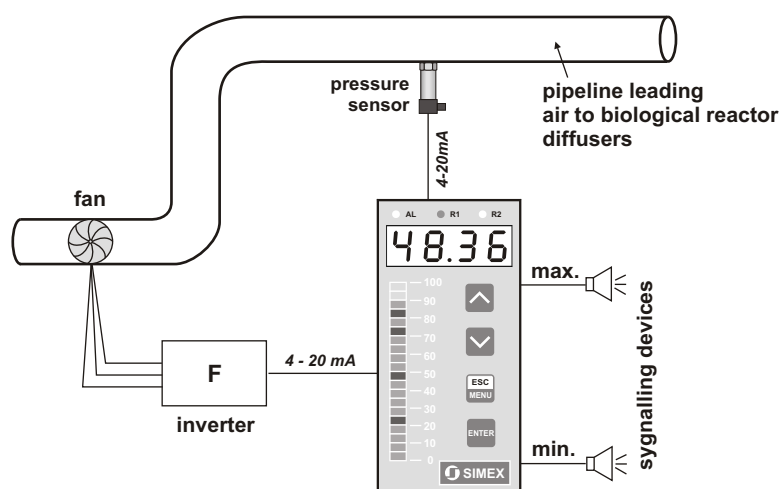


The **SRL-49** process meter features current input with protection safeguarding the measuring resistor against damage. The measurement is visible simultaneously on the 4-decade LED display and 20-point, two-colour bargraph reflecting 0-100% of measuring range. The set threshold values are also shown on the bargraph, and the LEDs indicate when the values are exceeded. The device operates in the following modes: linear, root, square and user defined (max. 20 points). 2 or 4 relay outputs enable adjustment of the level of the measured signal. The relay output can be controlled according to one or two threshold values.

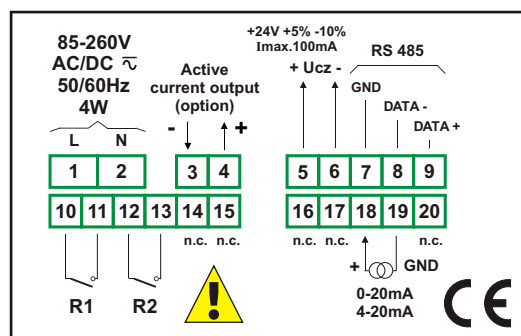
- programmable measuring range,
- programmable relay hystereses,
- programmable relay delay,
- password protected,
- programmable indication filtration,
- overload-protected current input.

Typical applications

1. Pressure measurement in pipelines with air pressure control by means of the frequency inverter and signalling of minimum and maximum thresholds.



Exemplary pin assignment



version with 4-20 mA output and two relays

Technical data

- Power supply:** 19V + 50V DC; 16V + 35V AC or 85 + 260V AC/DC
- Power consumption:** for 85 + 260V AC/DC and 16V + 35V AC power supply: max. 4,5 VA; 19V + 50V DC power supply: max. 4,5 W
- Display:** LED, red, 4 x 20 mm high
- Input:** current 0-20 mA or 4-20 mA, programmable, overload-protected, input current limited to about 40 mA
- Measuring range:** -999 - 9999 + decimal point
- Accuracy:** ± 0,25% ± one digit in the entire operation range
- Outputs:** 2 or 4; relays 1A/250V AC (cos φ=1) or the OC 30mA/30VDC//100mW
- Transducer power supply output:** 24V DC +5% -10% / max. 100 mA, stabilized, not insulated from measuring inputs
- Active current output:** operating range max. 0 - 24 mA (option available with 2 relays, see ordering)
- Communication interface:** RS 485, 8N1, 1200 bit/s + 115200 bit/s, Modbus RTU (not galvanically isolated)
- Operating temperature:** 0°C + +50°C
- Storage temperature:** -10°C + +70°C
- Protection class:** IP 65 (front side when an additional frame is installed); IP 40 (front side); IP 20 (case and connection clips)
- Case:** board
- Case material:** NORYL - GFN2S E1
- Case dimensions:** 48 x 96 x 100 mm
- Panel cut-out dimensions:** 43 x 90,5 mm
- Installation depth:** min. 102 mm
- Board thickness:** max. 5 mm

Ordering

- SRL-49-11XX-1-X-XX**
- options:**
 - 01 : IP65
 - power supply:**
 - 3 : 24V - 48V AC
 - 4 : 85V - 260V AC/DC
 - type of outputs:**
 - 1 : REL (for 2 and 4 outputs)
 - 2 : OC (for 2 and 4 outputs)
 - 3 : 2 x REL + current output
 - 4 : 2 x OC + current output
 - number of outputs:**
 - 2
 - 3
 - 4

