

PRESSURE SENSOR PSA SERIES

■ Specification

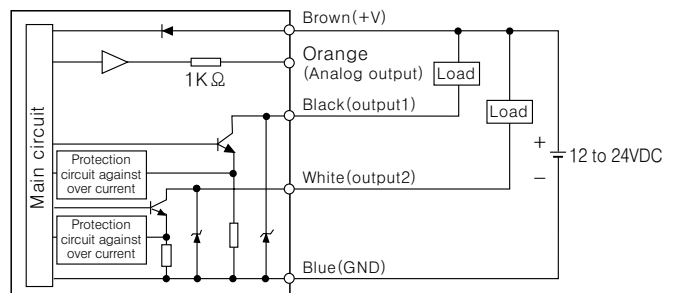
Pressure type	Gauge pressure		
	Negative pressure	Light pressure	Standard pressure
Model	PSA-V01-□	PSA-01-□	PSA-1-□
	PSA-V01P-□	PSA-01P-□	PSA-1P-□
Range of rating pressure	0.0 to -101.3kPa	0 to 100.0kPa	0 to 1000kPa
Display and range of setting pressure	5.0 to -101.3kPa	-5.0 to 110.0kPa	-50 to 1100kPa
Display pressure unit	kPa, kgf/cm ² , bar, psi, mmHg, inHg	kPa, kgf/cm ² , bar, psi	
Max. pressure range	2 times of rating pressure		1.5times of rating pressure
Applicable fluid	Air, Non-corrosive gas		
Power supply	12 to 24VDC ±10% (Ripple P-P:Max. 10%)		
Current consumption	Max. 50mA		
Control output	<ul style="list-style-type: none"> NPN open collector output ⚡ Load voltage:Max. 30VDC, Load current:Max. 100mA, Residual voltage:Max. 1V PNP open collector output ⚡ Load voltage:Min. (power voltage:-2.5)V, Load current:Max.100mA 		
	Response time	2.5mS, 5.0mS, 100mS, 500mS selectable	
Repeat error	Within ±0.2% F · S ±1digit		
Analog output	<ul style="list-style-type: none"> Output voltage : 1 to 5VDC (Zero point : 1VDC ±2% F · S, Span : 4VDC ±2% F · S) Output impedance : 1KΩ 		
	Resolution	About 1/200	
	Rectilinear	Within ±2% F · S	
Protection circuit	Reverse polarity protection, overload & short-circuit protection		
Display method	Display 3 1/2 digit by LED		
Hysteresis	1digit(when use psi unit, it will be 2 digit)		
Affection by temperature	±1% F · S of detecting pressure 25°C within temperature of -10 to 50		
Ambient temperature	-10 to +50°C (non-freezing condition)		
Storage temperature	-20 to +60°C (non-freezing condition)		
Ambient humidity	35 to 85%RH		
Storage humidity	35 to 85%RH		
Mechanical	1.5mm amplitude at frequency of 10 to 55Hz in each of X,Y,Z directions for 2 hours		
Material	Front case, Rear case, Pressure port : Die-cast(Zn)		
Cable	φ4mm, 5P, length : 2m		
Accessory	Mounting bracket A, B, 2 Hexagon wrench bolts, Label of pressure unit		
Weight	Approx 120g		

■ Ordering information

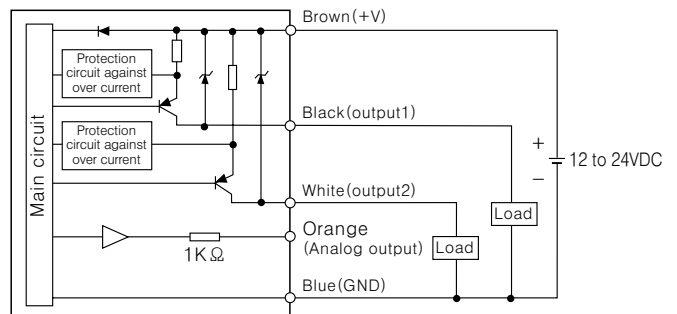
PSA - V 01 P - R1/8	R1/8	Pressure port
	Controller output	NPN Open collector
	P	PNP Open collector
	Pressure range	01 100kPa
		1 1000kPa
	Pressure type	V Negative pressure
		Pressure
	PSA	Series

■ Input/Output circuit & Connection

1. NPN open collector output

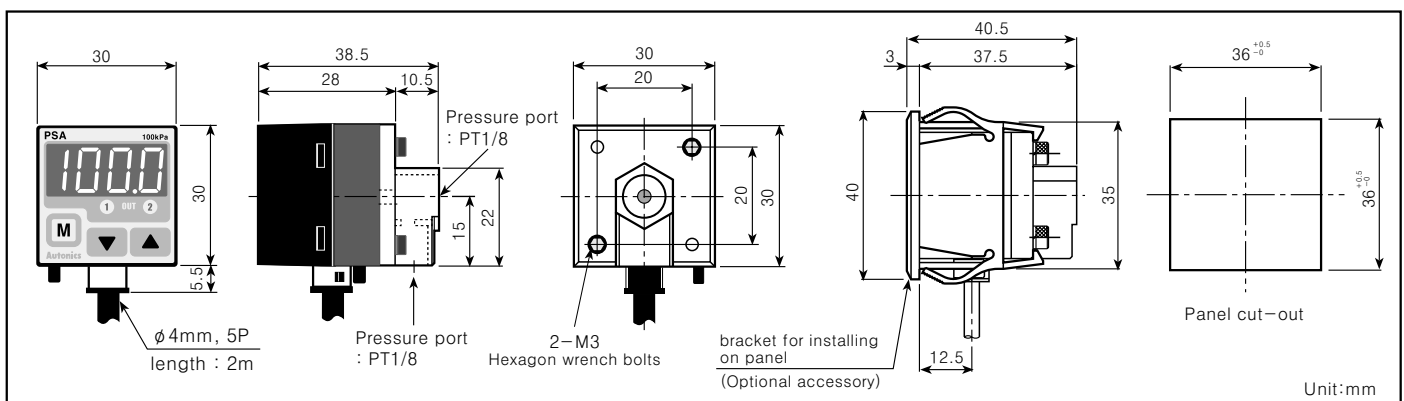


2. PNP open collector output



※ There is no circuit device protection in analogue output device. Do not connect with power source or capacity load. When use analogue output, be sure to use input impedance of the equipment and be sure of dropping voltage by resistance of extension wire.

■ Dimension



Main products

- COUNTER ● TIMER
- TEMPERATURE CONTROLLER ● PANEL METER
- TACHOMETER ● LINE SPEED METER
- DISPLAY UNIT ● PROXIMITY SWITCH
- PHOTOELECTRIC SENSOR ● PRESSURE SENSOR
- OPTICAL FIBER SENSOR ● ROTARY ENCODER
- SENSOR CONTROLLER ● POWER CONTROLLER
- STEPPING MOTOR & DRIVER & CONTROLLER

SILGE ELECTRONICA S.A.
 Av. Mitre 950-B1604AKN-Florida-Buenos Aires-ARGENTINA
 Tel: 4730-1001 FAX : 4760-4950 email:ventas@silge.com.ar
 Internet: http://www.silge.com.ar