

**FOTOCEDURE CILINDRICHE M18
TASTEGGIO DIRETTO**

SERIE OCV81/D *SERIES*

***PHOTOELECTRIC CYLINDRICAL
SENSORS DIFFUSE TYPE***

FOTOCELLE CILINDRICHE M18 - TASTEGGIO DIRETTO M18 CYLINDRICAL PHOTOELECTRIC SENSORS - DIFFUSE TYPE



FOTOCELLE STANDARD M18 A TASTEGGIO DIRETTO.
VERSIONI A 100, 200, 400 E 600 mm DI PORTATA.
USCITA CAVO O CONNETTORE M12.
CONTENITORE PLASTICO O METALLICO.

*STANDARD M18 PHOTOELECTRIC SENSORS
DIFFUSE TYPE.
SENSING DISTANCE VERSIONS 100, 200, 400 &
600 mm.
CABLE OUT OR M12 PLUG-IN CONNECTOR.
PLASTIC OR METAL BODY*

COME ORDINARE
HOW TO ORDER

OCV81/ D1 P NO R M C5

Sn (DISTANZA DI RILEVAMENTO)
Sn (SENSING DISTANCE)

D = 100 mm
D1 = 200 mm
D2 = 400 mm
D3 = 600 mm

ELETTRONICA
ELECTRONICS

P = PNP (Vcc/Vdc)
N = NPN (Vcc/Vdc)
C3 = Vca / Vac

USCITA
OUTPUT

NO = Normalmente aperta (impulso luce)
Normally open (light on)
NC = Normalmente chiusa (impulso buio)
Normally closed (dark-on)
SC = NO/NC selezionabile (3 Fili)
NO/NC programmable (3 Wires)
SC4 = 2 uscite, NO+NC (4 Fili)
2 outputs, NO +NC (4 Wires)

CONNESSIONE
LINK

- = Cavo (2m)
Cable (2m)
Kx = Metraggio cavo a richiesta
Cable lenght upon request
KR = Uscita cavo 90°
90 degrees angled cable output
C5 = Connettore M12
M12 Connector

MATERIALE CORPO
BODY MATERIAL

- = Plastico
Plastic
M = Metallico
Metal

SENSIBILITA'
SENSITIVITY

- = Fissa
Fixed
R = Regolabile
Adjustment

CARATTERISTICHE ELETTRICHE
ELECTRICAL FEATURES
VERSIONE IN C.C.
D.C. TYPE

ALIMENTAZIONE	10 ÷ 30 Vdc	<i>SUPPLY VOLTAGE</i>
ONDULAZIONE RESIDUA	≤ 10%	<i>RIPPLE</i>
ASSORBIMENTO	< 25 mA	<i>POWER CONSUMPTION</i>
CARICO MASSIMO	250 mA	<i>MAXIMUM LOAD</i>
CADUTA DI TENSIONE	< 2V @ 200 mA	<i>VOLTAGE DROP</i>
PROTEZIONE C.C.	SI / YES	<i>SHORT CIRCUIT PROTECTION</i>
PROTEZIONE INVERSIONE DI POLARITA'	SI / YES	<i>POLARITY REVERSAL PROTECTION</i>
COMPATIBILITA' ELETTROMAGNETICA CE	EN 60947-5-2	<i>CE COMPLIANCE</i>

VERSIONE IN A.C.
A.C. TYPE

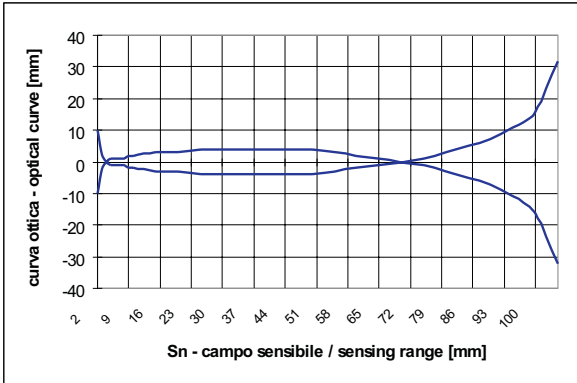
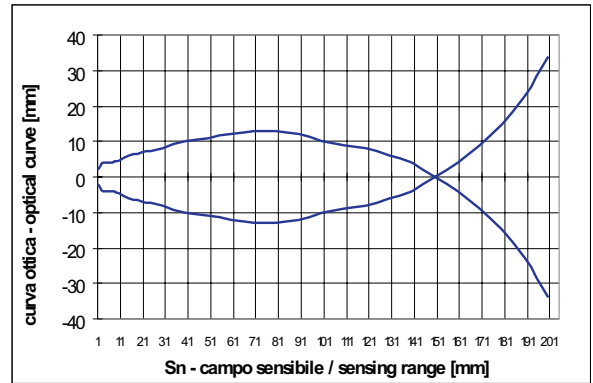
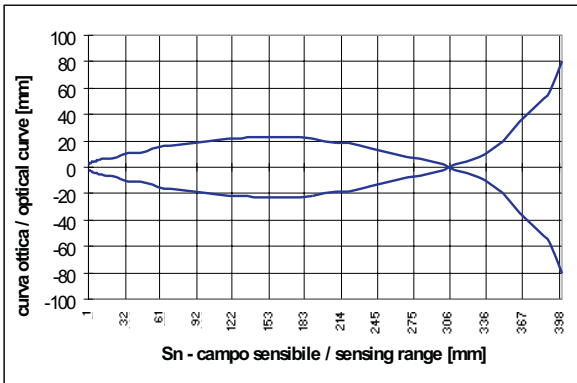
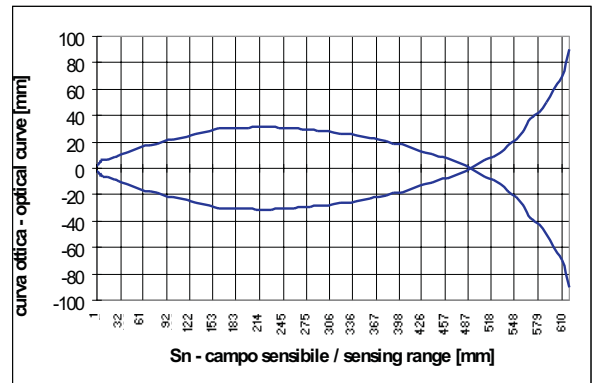
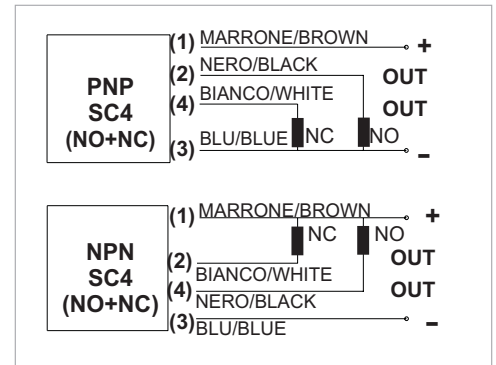
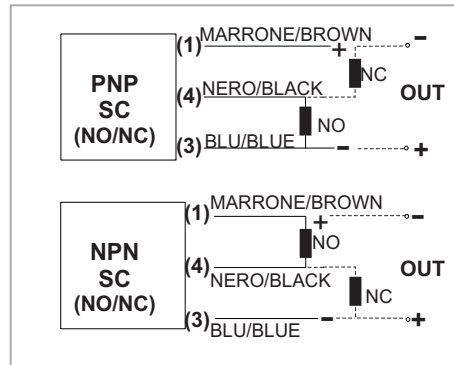
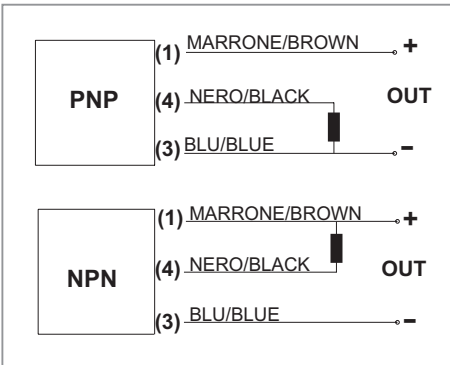
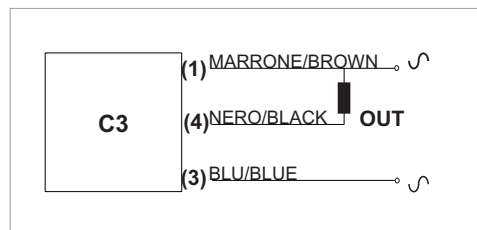
ALIMENTAZIONE	20 ÷ 230 Vac	<i>SUPPLY VOLTAGE</i>
ASSORBIMENTO	< 4 mA	<i>POWER CONSUMPTION</i>
CARICO MASSIMO	300 mA	<i>MAXIMUM LOAD</i>
CADUTA DI TENSIONE	< 3 V	<i>VOLTAGE DROP</i>
COMPATIBILITA' ELETTROMAGNETICA CE	EN 60947-5-2	<i>CE COMPLIANCE</i>

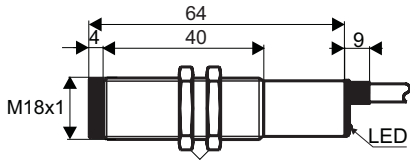
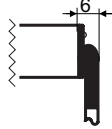
CARATTERISTICHE TECNICHE
TECNICAL FEATURES

MODELLO	FISSO	D	D1	D2	D3	FIXED	MODEL
	REG.	-	D1...R	D2...R	D3...R	ADJ.	
DISTANZA DI RILEVAMENTO (mm)		100*	200*	400**	600**		<i>SENSING DISTANCE (mm)</i>
		-	1 ÷ 200	1 ÷ 400	1 ÷ 600		
EMISSIONE	IR MODULATO 880 nm – PULSED IR 880 nm						<i>EMISSION</i>
FREQUENZA DI COMMUTAZIONE MASSIMA	(C.C.) 150 Hz (D.C.)						<i>MAXIMUM WORKING FREQUENCY</i>
	(C.A.) 15 Hz (A.C.)						
TEMPERATURA DI LAVORO	-10°C ÷ 50°C						<i>WORKING TEMPERATURE</i>
TEMPERATURA DI STOCCAGGIO	-25°C ÷ 70°C						<i>STORAGE TEMPERATURE</i>
MATERIALE CORPO PLASTICO	ABS						<i>PLASTIC BODY MATERIAL</i>
MATERIALE CORPO METALLICO	OTTONE NICHELATO / NICHEL PLATED BRASS						<i>METAL BODY MATERIAL</i>
MATERIALE LENTI	PMMA						<i>LENSES MATERIAL</i>
GRADO DI PROTEZIONE	IP65						<i>PROTECTION RATING</i>

* PORTATA DEFINITA SU CARTA BIANCA CON RIFLESSIONE DEL 90% DIMENSIONI 100 x 100 mm
SENSING DISTANCE DEFINED ON WHITE PAPER WITH 90% REFLEX DIMENSIONS 100 x 100 mm

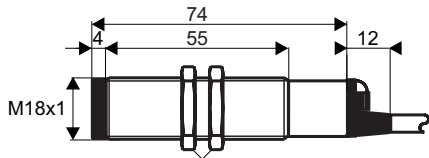
** PORTATA DEFINITA SU CARTA BIANCA CON RIFLESSIONE DEL 90% DIMENSIONI 200 x 200 mm
SENSING DISTANCE DEFINED ON WHITE PAPER WITH 90% REFLEX DIMENSIONS 200 x 200 mm

CURVE OTTICHE
OPTIC CURVES
MODELLO D TYPE

MODELLO D1TYPE

MODELLO D2 TYPE

MODELLO D3 TYPE

CONNESSIONI
CONNECTIONS
3 FILI C.C. / 3 WIRES D.C.
3 FILI SC (C.C.) / 3 WIRES SC (D.C.)
4 FILI SC (C.C.) / 4 WIRES (D.C.)

3 FILI C.A. / 3 WIRES (A.C.)


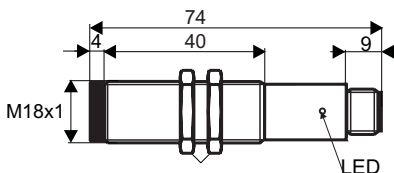
DIMENSIONI MECCANICHE
MECHANICAL SIZE
CONTENITORE METALLICO / METAL BODY
VERSIONE NON REGOLABILE
FIXED VERSION

 USCITA CAVO 90°
90 DEGREES ANGLED
CABLE OUTPUT

 VISTA PARTE SENSIBILE
SENSITIVE SIDE VIEW

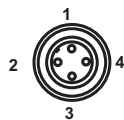
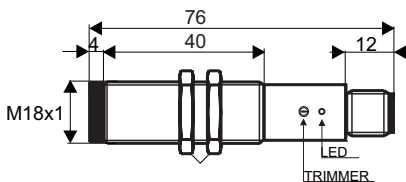
 VISTA USCITA CAVO
CABLE OUTPUT VIEW

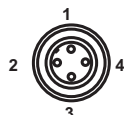
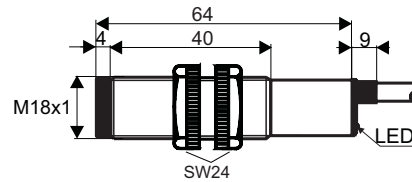
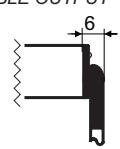
 VISTA USCITA CAVO 90°
90 DEGREES ANGLED
CABLE OUTPUT VIEW

VERSIONE REGOLABILE
ADJUSTABLE VERSION

 VISTA PARTE SENSIBILE
SENSITIVE SIDE VIEW

 VISTA USCITA CAVO
CABLE OUTPUT VIEW

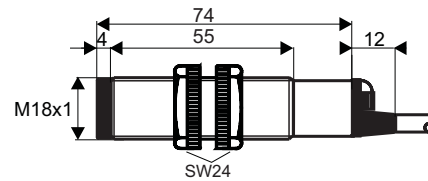
VERSIONE NON REGOLABILE
FIXED VERSION

 VISTA PARTE SENSIBILE
SENSITIVE SIDE VIEW

 VISTA USCITA CONNETTORE M12
M12 CONNECTOR OUTPUT VIEW

VERSIONE REGOLABILE
ADJUSTABLE VERSION

 VISTA PARTE SENSIBILE
SENSITIVE SIDE VIEW

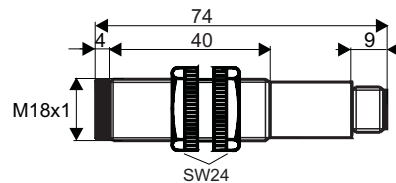
 VISTA USCITA CONNETTORE M12
M12 CONNECTOR OUTPUT VIEW

CONTENITORE PLASTICO / PLASTIC BODY
VERSIONE NON REGOLABILE
FIXED VERSION

 USCITA CAVO 90°
90 DEGREES ANGLED
CABLE OUTPUT

 VISTA PARTE SENSIBILE
SENSITIVE SIDE VIEW

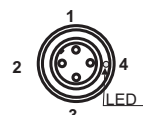
 VISTA USCITA CAVO
CABLE OUTPUT VIEW

 VISTA USCITA CAVO 90°
90 DEGREES ANGLED
CABLE OUTPUT VIEW

VERSIONE REGOLABILE
ADJUSTABLE VERSION

 VISTA PARTE SENSIBILE
SENSITIVE SIDE VIEW

 VISTA USCITA CAVO
CABLE OUTPUT VIEW

VERSIONE NON REGOLABILE
FIXED VERSION

 VISTA PARTE SENSIBILE
SENSITIVE SIDE VIEW

 VISTA USCITA CONNETTORE M12
M12 CONNECTOR OUTPUT VIEW


ELENCO PRODOTTI
PRODUCTS LIST
MODELLO D - Sn = 100 mm
D TYPE - Sn = 100 mm

USCITA/OUTPUT	PLASTICA / PLASTIC		METALLICA / METAL	
	CAVO / CABLE	CONNETTORE/CONNECTOR	CAVO / CABLE	CONNETTORE/CONNECTOR
PNP NO	OCV81/DPNO	OCV81/DPNOC5	OCV81/DPNOM	OCV81/DPNOMC5
PNP NC	OCV81/DPNC	OCV81/DPNCC5	OCV81/DPNCM	OCV81/DPNCMC5
PNP SC	OCV81/DPSC	OCV81/DPSCC5	OCV81/DPSCM	OCV81/DPSCMC5
PNP SC4	OCV81/DPSC4	OCV81/DPSC4C5	OCV81/DPSC4M	OCV81/DPSC4MC5
NPN NO	OCV81/DNNO	OCV81/DNNOC5	OCV81/DNNOM	OCV81/DNNOMC5
NPN NC	OCV81/DNNC	OCV81/DNNCC5	OCV81/DNNCM	OCV81/DNNCMC5
NPN SC	OCV81/DNSC	OCV81/DNSCC5	OCV81/DNSCM	OCV81/DNSCMC5
NPN SC4	OCV81/DNSC4	OCV81/DNSC4C5	OCV81/DNSC4M	OCV81/DNSC4MC5
C.A. NO	OCV81/DC3NO	OCV81/DC3NOC5	OCV81/DC3NOM	OCV81/DC3NOMC5
C.A. NC	OCV81/DC3NC	OCV81/DC3NCC5	OCV81/DC3NCM	OCV81/DC3NCMC5

MODELLO D1 - Sn = 200 mm
D1 TYPE - Sn = 200 mm

USCITA/OUTPUT	PLASTICA/PLASTIC		METALLICA/METAL	
	CAVO/CABLE	CONNETTORE/CONNECTOR	CAVO/CABLE	CONNETTORE/CONNECTOR
PNP NO	OCV81/D1PNO	OCV81/D1PNOC5	OCV81/D1PNOM	OCV81/D1PNOMC5
PNP NC	OCV81/D1PNC	OCV81/D1PNCC5	OCV81/D1PNCM	OCV81/D1PNCMC5
PNP SC	OCV81/D1PSC	OCV81/D1PSCC5	OCV81/D1PSCM	OCV81/D1PSCMC5
PNP SC4	OCV81/D1PSC4	OCV81/D1PSC4C5	OCV81/D1PSC4M	OCV81/D1PSC4MC5
NPN NO	OCV81/D1NNO	OCV81/D1NNOC5	OCV81/D1NNOM	OCV81/D1NNOMC5
NPN NC	OCV81/D1NNC	OCV81/D1NNCC5	OCV81/D1NNCM	OCV81/D1NNCMC5
NPN SC	OCV81/D1NSC	OCV81/D1NSCC5	OCV81/D1NSCM	OCV81/D1NSCMC5
NPN SC4	OCV81/D1NSC4	OCV81/D1NSC4C5	OCV81/D1NSC4M	OCV81/D1NSC4MC5
C.A. NO	OCV81/D1C3NO	OCV81/D1C3NOC5	OCV81/D1C3NOM	OCV81/D1C3NOMC5
C.A. NC	OCV81/D1C3NC	OCV81/D1C3NCC5	OCV81/D1C3NCM	OCV81/D1C3NCMC5

MODELLO D1 - Sn = 200 mm - REGOLABILE
D1 TYPE - Sn = 200 mm - ADJUSTABLE

USCITA/OUTPUT	PLASTICA / PLASTIC		METALLICA / METAL	
	CAVO/CABLE	CONNETTORE/CONNECTOR	CAVO/CABLE	CONNETTORE/CONNECTOR
PNP NO	OCV81/D1PNOR	-	OCV81/D1PNORM	OCV81/D1PNORMC5
PNP NC	OCV81/D1PNCR	-	OCV81/D1PNCRM	OCV81/D1PNCRM5
PNP SC	OCV81/D1PSCR	-	OCV81/D1PSCRM	OCV81/D1PSCRM5
PNP SC4	OCV81/D1PSC4R	-	OCV81/D1PSC4RM	OCV81/D1PSC4RM5
NPN NO	OCV81/D1NNOR	-	OCV81/D1NNORM	OCV81/D1NNORMC5
NPN NC	OCV81/D1NNCR	-	OCV81/D1NNCRM	OCV81/D1NNCRM5
NPN SC	OCV81/D1NSCR	-	OCV81/D1NSCRM	OCV81/D1NSCRM5
NPN SC4	OCV81/D1NSC4R	-	OCV81/D1NSC4RM	OCV81/D1NSC4RM5
C.A. NO	OCV81/D1C3NOR	-	OCV81/D1C3NORM	OCV81/D1C3NORMC5
C.A. NC	OCV81/D1C3NCR	-	OCV81/D1C3NCRM	OCV81/D1C3NCRM5

MODELLO D2 - Sn = 400 mm
D2 TYPE - Sn = 400 mm

USCITA/OUTPUT	PLASTICA/PLASTIC		METALLICA/METAL	
	CAVO/CABLE	CONNETTORE/CONNECTOR	CAVO/CABLE	CONNETTORE/CONNECTOR
PNP NO	OCV81/D2PNO	OCV81/D2PNOC5	OCV81/D2PNOM	OCV81/D2PNOMC5
PNP NC	OCV81/D2PNC	OCV81/D2PNCC5	OCV81/D2PNCM	OCV81/D2PNCMC5
PNP SC	OCV81/D2PSC	OCV81/D2PSCC5	OCV81/D2PSCM	OCV81/D2PSCMC5
PNP SC4	OCV81/D2PSC4	OCV81/D2PSC4C5	OCV81/D2PSC4M	OCV81/D2PSC4MC5
NPN NO	OCV81/D2NNO	OCV81/D2NNOC5	OCV81/D2NNOM	OCV81/D2NNOMC5
NPN NC	OCV81/D2NNC	OCV81/D2NNCC5	OCV81/D2NNCM	OCV81/D2NNCMC5
NPN SC	OCV81/D2NSC	OCV81/D2NSCC5	OCV81/D2NSCM	OCV81/D2NSCMC5
NPN SC4	OCV81/D2NSC4	OCV81/D2NSC4C5	OCV81/D2NSC4M	OCV81/D2NSC4MC5
C.A. NO	OCV81/D2C3NO	OCV81/D2C3NOC5	OCV81/D2C3NOM	OCV81/D2C3NOMC5
C.A. NC	OCV81/D2C3NC	OCV81/D2C3NCC5	OCV81/D2C3NCM	OCV81/D2C3NCMC5

MODELLO D2 - Sn = 400 mm - REGOLABILE
D2 TYPE - Sn = 400 mm ADJUSTABLE

USCITA/OUTPUT	PLASTICA / PLASTIC		METALLICA / METAL	
	CAVO/CABLE	CONNETTORE/CONNECTOR	CAVO/CABLE	CONNETTORE/CONNECTOR
PNP NO	OCV81/D2PNOR	-	OCV81/D2PNORM	OCV81/D2PNORMC5
PNP NC	OCV81/D2PNCR	-	OCV81/D2PNCRM	OCV81/D2PNCRM5
PNP SC	OCV81/D2PSCR	-	OCV81/D2PSCRM	OCV81/D2PSCRM5
PNP SC4	OCV81/D2PSC4R	-	OCV81/D2PSC4RM	OCV81/D2PSC4RM5
NPN NO	OCV81/D2NNOR	-	OCV81/D2NNORM	OCV81/D2NNORM5
NPN NC	OCV81/D2NNCR	-	OCV81/D2NNCRM	OCV81/D2NNCRM5
NPN SC	OCV81/D2NSCR	-	OCV81/D2NSCRM	OCV81/D2NSCRM5
NPN SC4	OCV81/D2NSC4R	-	OCV81/D2NSC4RM	OCV81/D2NSC4RM5
C.A. NO	OCV81/D2C3NOR	-	OCV81/D2C3NORM	OCV81/D2C3NORM5
C.A. NC	OCV81/D2C3NCR	-	OCV81/D2C3NCRM	OCV81/D2C3NCRM5

MODELLO D3 - Sn = 600 mm
D3 TYPE - Sn = 600 mm

USCITA/OUTPUT	PLASTICA / PLASTIC		METALLICA / METAL	
	CAVO/CABLE	CONNETTORE/CONNECTOR	CAVO/CABLE	CONNETTORE/CONNECTOR
PNP NO	OCV81/D3PNO	OCV81/D3PNOC5	OCV81/D3PNOM	OCV81/D3PNOMC5
PNP NC	OCV81/D3PNC	OCV81/D3PNCC5	OCV81/D3PNCM	OCV81/D3PNCMC5
PNP SC	OCV81/D3PSC	OCV81/D3PSCC5	OCV81/D3PSCM	OCV81/D3PSCMC5
PNP SC4	OCV81/D3PSC4	OCV81/D3PSC4C5	OCV81/D3PSC4M	OCV81/D3PSC4MC5
NPN NO	OCV81/D3NNO	OCV81/D3NNOC5	OCV81/D3NNOM	OCV81/D3NNOMC5
NPN NC	OCV81/D3NNC	OCV81/D3NNCC5	OCV81/D3NNCM	OCV81/D3NNCMC5
NPN SC	OCV81/D3NSC	OCV81/D3NSCC5	OCV81/D3NSCM	OCV81/D3NSCMC5
NPN SC4	OCV81/D3NSC4	OCV81/D3NSC4C5	OCV81/D3NSC4M	OCV81/D3NSC4MC5
C.A. NO	OCV81/D3C3NO	OCV81/D3C3NOC5	OCV81/D3C3NOM	OCV81/D3C3NOMC5
C.A. NC	OCV81/D3C3NC	OCV81/D3C3NCC5	OCV81/D3C3NCM	OCV81/D3C3NCMC5

MODELLO D3 - Sn = 600 mm - REGOLABILE
D3 TYPE - Sn = 600 mm ADJUSTABLE

USCITA/OUTPUT	PLASTICA /PLASTIC		METALLICA /METAL	
	CAVO/CABLE	CONNETTORE/CONNECTOR	CAVO/CABLE	CONNETTORE/CONNECTOR
PNP NO	OCV81/D3PNOR	-	OCV81/D3PNORM	OCV81/D3PNORMC5
PNP NC	OCV81/D3PNCR	-	OCV81/D3PNCRM	OCV81/D3PNCRM5
PNP SC	OCV81/D3PSCR	-	OCV81/D3PSCRM	OCV81/D3PSCRM5
PNP SC4	OCV81/D3PSC4R	-	OCV81/D3PSC4RM	OCV81/D3PSC4RM5
NPN NO	OCV81/D3NNOR	-	OCV81/D3NNORM	OCV81/D3NNORM5
NPN NC	OCV81/D3NNCR	-	OCV81/D3NNCRM	OCV81/D3NNCRM5
NPN SC	OCV81/D3NSCR	-	OCV81/D3NSCRM	OCV81/D3NSCRM5
NPN SC4	OCV81/D3NSC4R	-	OCV81/D3NSC4RM	OCV81/D3NSC4RM5
C.A. NO	OCV81/D3C3NOR	-	OCV81/D3C3NORM	OCV81/D3C3NORM5
C.A. NC	OCV81/D3C3NCR	-	OCV81/D3C3NCRM	OCV81/D3C3NCRM5

RIFERIMENTI CONNETTORI PARTE VOLANTE
CONNECTOR LOOSE PART CODES

FEMMINA / FEMALE	DIRITTO/STRAIGHT	90° / DEGREES ANGLED CABLE OUTPUT	M12
CABLE / CABLE	L70500	C70500	3 POLI / 3 POLES
CEI 20-22 II - L= 5 m	L90500	C90500	4 POLI / 4 POLES