



# EH-EL 58 B/C/H/T INCREMENTAL ENCODER



## Incremental encoder

Standard encoder Ø58 series for industrial applications with high mechanical resistance requirements. Those encoders are designed to support high radial and axial shaft load and they can be mounted with flanges or servo-fasteners.

- Up to 10.000 ppr with zero for EL series, up to 1024 ppr for EH series.
- Several output types available.
- Up to 28 Vdc input voltage for EL series and up to 24 Vdc for EH series.
- Up to 300 kHz frequency response for EL series and up to 100 kHz for EH series
- Output cable with connector.
- Several flanges available
- Up to 6.000 rpm speed rotation
- Up to IP66 sealing



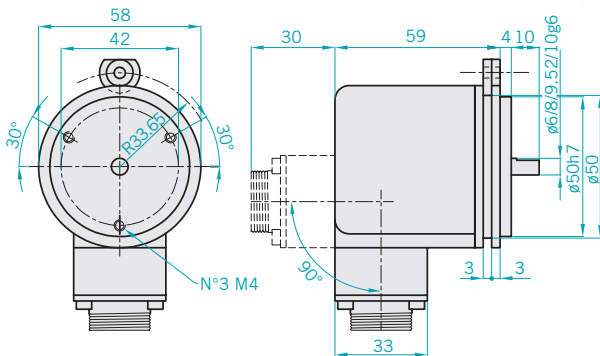
shaft INCREMENTAL ENCODERS

## Ordering code

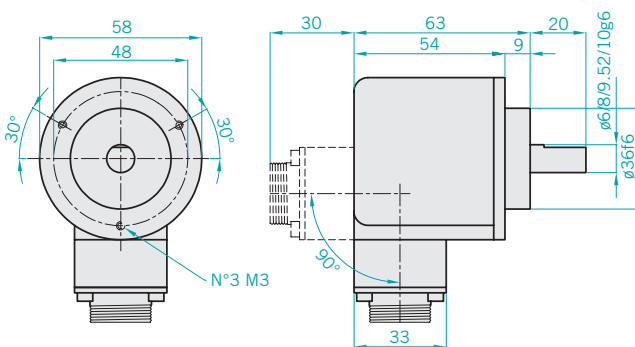
		Full stop to separate special versions															
		EL	58	B	1000	Z	5/28	P	6	X	6	P	R	.	XXX		
incremental encoder series		EL														Special version code numbered from 001 to 999	
incremental encoder series		EH															
body dimension		58															
<b>Type of flange</b>																	
mod.EH-EL 58 B		B															
mod.EH-EL 58 C		C															
mod.EH-EL 58 H		H															
mod.EH-EL 58 T		T															
<b>Resolution</b>																	
From 1 to 10000 PPR for series EL																	
From 40 to 1024 PPR for series EH																	
<i>Please, directly contact our offices for pulses availability</i>																	
<b>Zero pulse</b>																	
without zero pulse		S															
with zero pulse		Z															
<b>Input voltage</b>																	
input voltage EL		5 ÷ 28															
input voltage EH		5/8 ÷ 24															
<i>LINE DRIVER available only with input voltage 5 Vdc or 8 ÷ 24 Vdc</i>																	
<b>R.P.M.</b>																	
3		3000															
6		6000														<i>Enclosure rating S 3000 turn</i>	
<b>Enclosure rating</b>																	
X		standard IP54															
S		optional IP66															
<b>Shaft diameter</b>																	
6		ø 6 g6 mm EH-EL58 B/C/H															
8		ø 8 g6 mm EH-EL58 B/C/H/T															
9		ø 9,52 g6 mm (3/8") EH-EL58 B/C/H															
10		ø 10 g6 mm EH-EL58 B/C/H/T															
12		ø 12 g6 mm EH-EL58 T															
<b>Output types</b>																	
N		NPN															
C		NPN OPEN COLLECTOR															
P		PUSH PULL															
L		LINE DRIVER ( only series EL)															
<i>For optionals about output types please refer to incremental output section</i>																	

EH-EL58 B/C/H/T

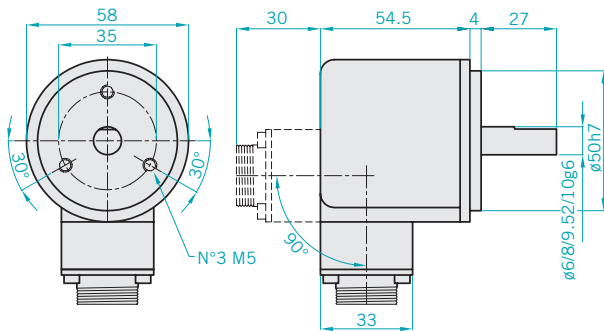
## EH-EL 58 B



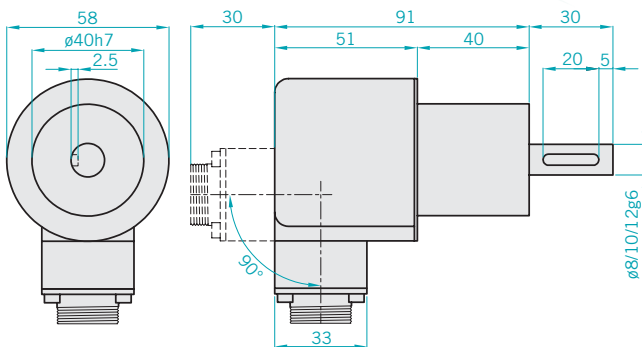
## EH-EL 58 C



## EH-EL 58 H



## EH-EL 58 T



### EL series electrical specifications

<b>Resolution</b>	From 1 to 10000 PPR
<b>Input voltage</b>	5 ÷ 28 Vdc LINE DRIVER only available with input voltage 5 / 8÷24 Vdc
<b>Input current with no output load</b>	100 mA Max
<b>Source and sink current</b>	50 mA for channel 20 mA for channel with LINE DRIVER
<b>Output types</b>	NPN / NPN OPEN COLLECTOR / PUSH PULL / LINE DRIVER
<b>Frequency response</b>	300 KHz Max $F = \frac{RPM \times Resolution}{60}$

### EH series electrical specifications

<b>Resolution</b>	From 40 to 1024 PPR
<b>Input voltage</b>	5 Vdc / 8 ÷ 24 Vdc
<b>Input current with no output load</b>	100 mA Max
<b>Source and sink current</b>	50 mA for channel 20 mA for channel with LINE DRIVER
<b>Output types</b>	NPN / NPN OPEN COLLECTOR / PUSH PULL / LINE DRIVER
<b>Frequency response</b>	100 KHz Max $F = \frac{RPM \times Resolution}{60}$

### Mechanical specifications

<b>Shaft diameter</b>	ø6/8/9,52 (3/8")/10 mm g6 EH- EL58 B/C/H
<b>Enclosure rating</b>	IP54 standard IP66
<b>Shaft speed</b>	3000 RPM 6000 RPM 3000 RPM MAX with "S" rating
<b>Max shaft load</b>	200N (20 Kp) axial 10N (1 Kp) axial 200N (20 Kp) radial 20N (2 Kp) radial with shaft ø6 mm
<b>Shock</b>	50 G for 11 msec (with plastic disc) 20 G for 11 msec (with glass disc)
<b>Vibrations</b>	10G 10 ÷ 2000 Hz
<b>Bearings life</b>	10 <sup>9</sup> revolutions
<b>Bearings</b>	n° 2 Ball bearings
<b>Shaft material</b>	Stainless steel AISI303
<b>Body material</b>	Aluminium D11S - UNI 9002/5
<b>Housing material</b>	PA 66 reinforced with fiber glass
<b>Operating temperature</b>	0° ÷ +60°C
<b>Storage temperature</b>	-25° ÷ +70°C
<b>Weight</b>	300 g