



EL40 G/GR INCREMENTAL ENCODER



Incremental encoder

- Miniaturised encoder Ø42 series for general applications.
- Up to 2.000 ppr with zero for EL series
- Different output types available.
- Up to 28 Vdc input voltage.
- Up to 100 kHz frequency response
- Output cable. Cable connector available on request.
- Several flanges available
- Up to 3.000 rpm speed rotation
- IP54 sealing



hollow shaft INCREMENTAL ENCODERS

Ordering code

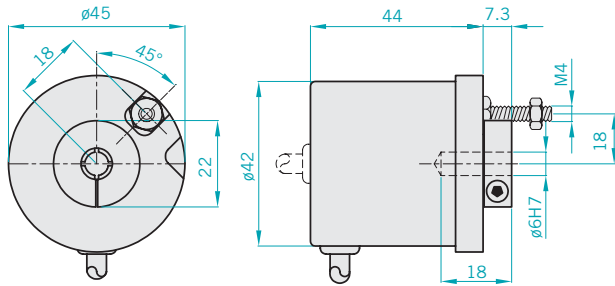
Full stop to separate special versions.

EL 40 G 1000 Z 5/28 P 6 X 3 P R . XXX

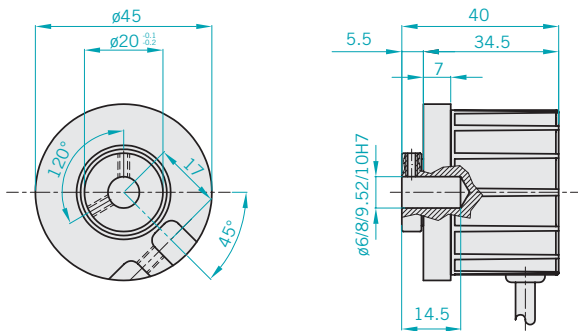
<p>Incremental encoder series EL</p> <p>Body dimension 40</p> <p>Type of flanges mod. EL40 G G mod. EL40 GR GR</p> <p>Resolutions from 1 to 2000 PPR series EL <i>Please, directly contact our offices for pulses availability</i></p> <p>Zero pulse without zero pulse S with zero pulse Z</p> <p>Input voltage input voltage EL 5 ÷ 28 <i>LINE DRIVER available only with input voltage 5 Vdc 8 ÷ 24 Vdc</i></p>	<p>R.P.M. 3 3000</p> <p>Enclosure rating X standard IP54</p> <p>Bore diameter</p> <table border="0"> <tr> <td>6</td> <td>ø 6 H 7 mm</td> <td>EL40 G/GR (hole)</td> </tr> <tr> <td>8</td> <td>ø 8 H 7 mm</td> <td>only EL40 GR</td> </tr> <tr> <td>9</td> <td>ø 9.52 H 7 mm</td> <td>only EL40 GR</td> </tr> <tr> <td>10</td> <td>ø 10 H 7 mm</td> <td>only EL40 GR</td> </tr> </table> <p>Output types</p> <p>N NPN C NPN OPEN COLLECTOR P PUSH PULL L LINE DRIVER <i>For optionals about output types please refer to incremental outputs section</i></p>	6	ø 6 H 7 mm	EL40 G/GR (hole)	8	ø 8 H 7 mm	only EL40 GR	9	ø 9.52 H 7 mm	only EL40 GR	10	ø 10 H 7 mm	only EL40 GR	<p>R radial A axial</p> <p>P cable output (standard length 0.5 m)</p> <p>XXX Special version code numbered from 001 to 999</p>
6	ø 6 H 7 mm	EL40 G/GR (hole)												
8	ø 8 H 7 mm	only EL40 GR												
9	ø 9.52 H 7 mm	only EL40 GR												
10	ø 10 H 7 mm	only EL40 GR												

EL40 G/GR

EL 40 G

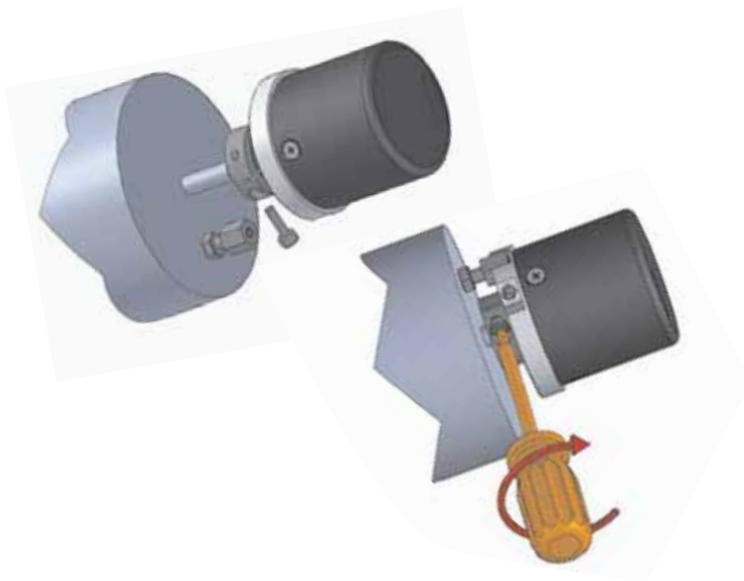


EL 40 GR



HOW TO MOUNT IT

- 1) Fix the antirotation pin on the motor flange
- 2) Couple the encoder shaft with the motor shaft, ensuring that the pin is inserted on the cave on the frontal part of the encoder (maintaining a minimum distance of 0,5 mm)
- 3) Fix the encoder shaft by the metal ring



Electrical specifications

Resolution	from 1 to 2000 PPR
Input voltage	5 \pm 28 Vdc LINE DRIVER available only with input voltage 5 / 8-24 Vdc
Input current with no output load	100 mA Max
Source and sink current	50 mA for channel 20 mA for channel LINE DRIVER
Output types	NPN / NPN OPEN COLLECTOR / PUSH PULL / LINE DRIVER
Frequency response	100 KHz Max $F = \frac{\text{RPM} \times \text{Resolution}}{60}$

Mechanical specifications

Bore diameter	$\phi 6h7$ mm EL40 G/GR $\phi 8/9.52/10$ h7 EL40 GR
Enclosure rating	IP54 standard
Shaft speed	3000 RPM
Max shaft load	5N (0.5 Kp) axial 5N (0.5 Kp) radial
Shock	50 G for 11 msec
Vibrations	10G 10 \div 2000 Hz
Bearings life	10 ⁹ revolu-
Bearings	n° 2 ball bearings
Shaft material	Stainless steel AISI303
Body material	Aluminium D11S - UNI 9002/5
Housing material	PA 66 reinforced with fiber glass
Operating temperature	0° \div +60°C
Storage temperature	-25° \div +70°C
Weight	150 g