



EH - EL58/63 INCREMENTAL ENCODER



Incremental encoder

Hollow shaft encoder series for industrial applications with high mechanical resistance requirements. Those encoders are designed to support high radial and axial shaft load and they can be mounted with flanges or servo-fasteners.

- Resolution up to 10.000 ppr with zero for EL series, up to 1024 ppr for EH series.
- Several output types available.
- Up to 28 Vdc input voltage for EL series and up to 24 Vdc for EH series.
- Up to 300 kHz frequency response for EL series and up to 100 kHz for EH series



Ordering code

Full stop to separate special versions.

<p>Incremental encoder series EL</p> <p>Incremental encoder series EH</p> <p>Body dimension 58</p> <p>Body dimension 63</p> <p>mod.EH-EL58F / EH-EL63F F</p> <p>mod.EH-EL58G / EH-EL63G G</p> <p>mod.EH-EL63P P</p> <p>mod.EH-EL63PB PB</p> <p>mod.EH-EL63GB GB</p> <p>mod.EH-EL63FB FB</p> <p>mod.EH-EL63PC PC</p> <p>mod.EH-EL63PBF PBF</p> <p>mod.EH-EL63PCF PCF</p>	<p>EL 63 G 1000 Z 5/28 N 8 X 3 M R . XXX</p> <p>from 1 to 10000 PPR series EH/EL58F/G-EL63F/G</p> <p>from 1 to 2048 PPR series EH63P/PB/GB/FB/PC/PBF/PCF</p> <p>from 40 to 1024 PPR series EH58F/G-EH63F/G</p> <p><i>Please, directly contact our offices for pulses availability</i></p>	<p>R radial</p> <p>A axial (only for EH-EL58-63F/G)</p> <p>P cable output (standard length 0.3 m)</p> <p>M connector MS3106E 16S-1S or 18-1S for EH-EL58-63F/G</p> <p>J connector JMSP 1607 F or 1610 for EH-EL58-63F/G</p> <p>R.P.M.</p> <p>3 3000</p> <p>Enclosure rating</p> <p>X standard IP54</p> <p>S IP66 (only for EH-EL58-63F/G)</p> <p>Bore diameter</p> <p>8 ø 8 mm</p> <p>9 ø 9,52 mm (3/8")</p> <p>10 ø 10 mm</p> <p>12 ø 12 mm</p> <p>14 ø 14 mm</p> <p>15 ø 15 mm</p> <p>Output types</p> <p>N NPN</p> <p>C NPN OPEN COLLECTOR</p> <p>P PUSH PULL</p> <p>L LINE DRIVER</p>	<p>Special version code numbered from 001 to 999</p>
--	--	---	--

Zero pulse

without zero pulse **S**

with zero pulse **Z**

Input voltage

input voltage EL **5 ÷ 28**

input voltage EH **5 / 8 ÷ 24**

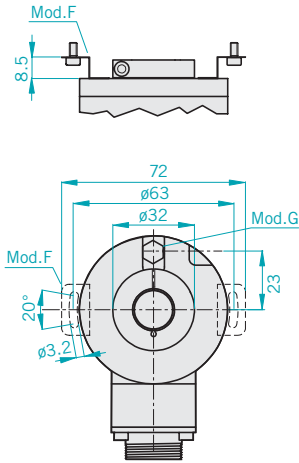
LINE DRIVER available only with input voltage 5 Vdc 8 ÷ 24 Vdc

For optional about output types please refer to incremental outputs section

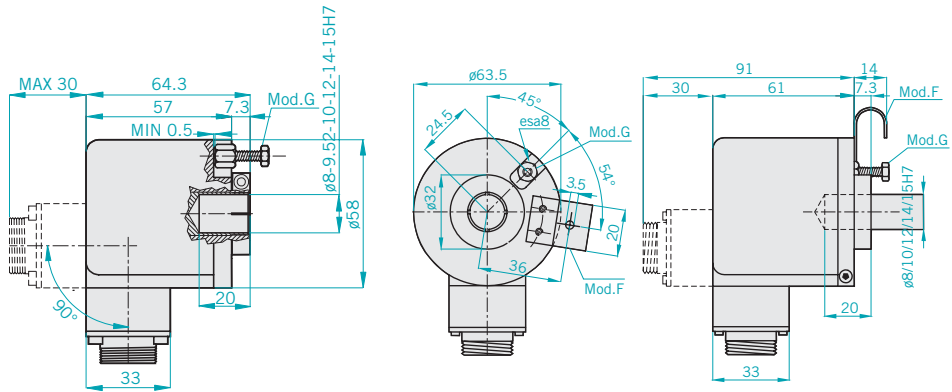
EH-EL58F/G EH-EL63F/G/FB/GB

Blind hollow shaft encoder

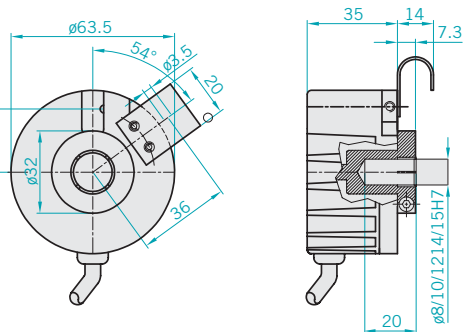
EH-EL 58 F/G



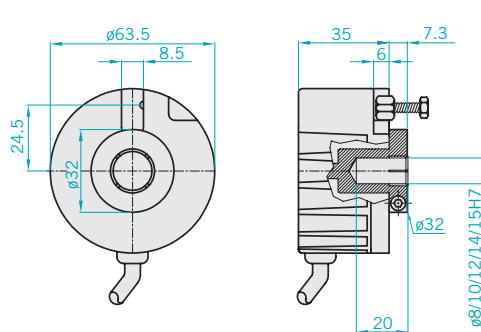
EH-EL 63 F/G



EL 63 FB



EL 63 GB



HOW TO MOUNT THE EH-EL63F

- 1) Couple the encoder shaft with the motor shaft
- 2) Fix the spring at the motor flanges without screwing it
- 3) Fix the encoder shaft by the metal gear.
- 4) Block the spring

HOW TO MOUNT THE EH-EL63G

- 1) Mount the antirotation pin on the motor flange.
- 2) Couple the encoder shaft with the motor shaft, ensuring that the pin is inserted on the cave on the encoder front part (maintaining a minimum distance of 0,5 mm)
- 3) Fix the encoder shaft by the metal ring

