



EH38 A / B / D INCREMENTAL ENCODER



Incremental encoder

- Miniaturized encoder series for general applications.
- Up to 1024 ppr.
- Several output types available.
- Up to 24 Vdc input voltage.
- Up to 100 kHz frequency response
- Output cable. Cable connector available on request.
- Several flanges available
- Up to 3.000 rpm speed rotation
- Up to IP54 sealing



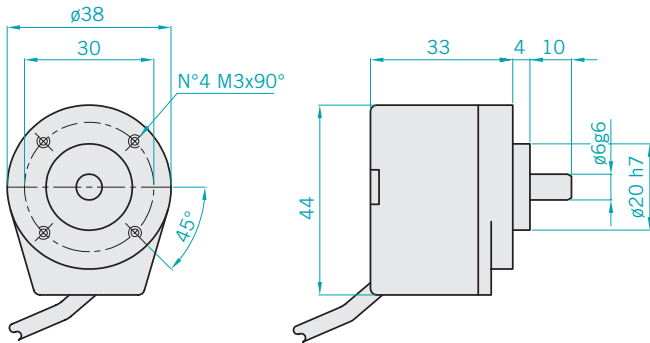
shaft INCREMENTAL ENCODERS

Ordering code

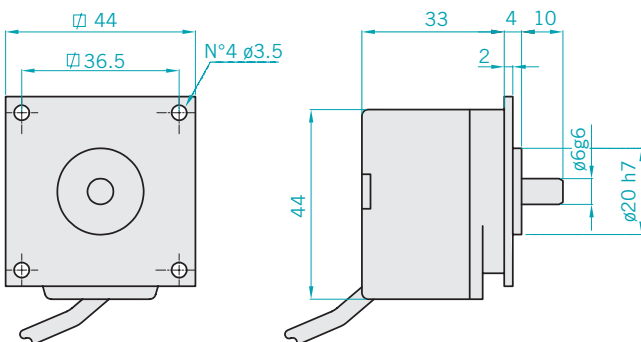
EH	38	A	500	Z	5	N	6	X	3	P	R	.	XXX
incremental encoder series EH	body dimension 38	Type of flange mod.EH 38 A A mod.EH 38 B B mod.EH 38 D D	Resolution From 40 to 1024 PPR <small>Please, directly contact our offices for pulses availability</small>	Zero pulse without zero pulse S with zero pulse Z	Input voltage 5 8 ÷ 24				R.P.M. 3 3000	Enclosure rating X standard IP54	Shaft diameter 6 ø 6 g6	Output types N NPN C NPN OPEN COLLECTOR P PUSH PULL L LINE DRIVER <small>For optionals about output types please refer to incremental output section</small>	Full stop to separate special versions Special version code numbered from 001 to 999
										P cable output (standard length 0,5 m)	R radial		

EH38 A / B / D

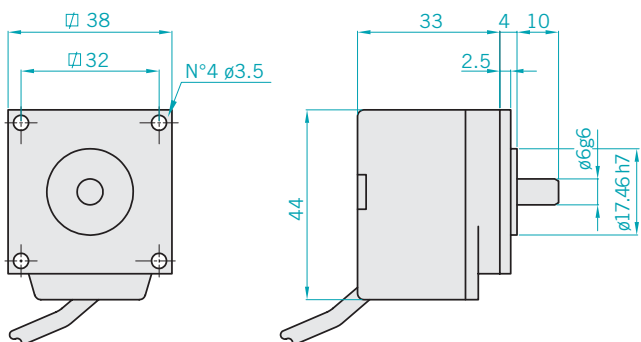
EH38 A



EL38 B



EH38 D



Electrical specifications

Resolution	From 40 to 1024 PPR
Input voltage	5Vdc / 8 ÷ 24 Vdc
Input current with no output load	100 mA Max
Source and sink current	50 mA for channel 20 mA for channel with LINE DRIVER
Output types	NPN / NPN OPEN COLLECTOR / PUSH PULL / LINE DRIVER
Output frequency	100 KHz Max
Frequency response	$F = \frac{\text{RPM} \times \text{Resolution}}{60}$

Mechanical specifications

Shaft diameter	$\varnothing 6$ mm g6
Enclosure rating	IP54 standard
Shaft speed	3000 RPM
Max shaft load	5N (0.5 Kp) axial 5N (0.5 Kp) radial
Shock	50 G for 11 msec
Vibrations	10G 10 ÷ 2000 Hz
Bearings life	10^9 revolutions
Bearings	n° 2 Ball bearings
Shaft material	Stainless steel AISI303
Body material	Aluminium UNI 5076
Flange material	Aluminium
Housing material	PA 66 reinforced with fiber glass
Operating temperature	0° ÷ +60°C
Storage temperature	-25° ÷ +70°C
Weight	100 g