

Main applications

- Extruders and injection moulding machines for the plastics industry
- Polymerisation and synthetic fibre production plants
- Rubber vulcanisation plants
- Climatic chambers and test benches
- Furnaces for ceramics and bricks
- Chemical and pharmaceutical industries
- Ovens
- Food processing plants
- Painting cabinets
- Water treatment
- Siderurgy industry



Main features

- Universal input configurable from the faceplate
- Acquisition of the input signal every 120msec ; resolution 30000steps
- Two control outputs: relay, logic or analogue with Heat/Cool function
- 3 configurable alarms
- 2 analogue outputs (setpoint retransmission)
- 2 digital inputs with configurable function
- Auxiliary input for C.T. or remote setpoint
- Heater Break or shortcircuit probe alarm
- Self and Auto-tuning, Soft-start, Local/Remote setpoint, Auto/Man
- Function multiset, rampa di set, timer

GENERAL

Microprocessor controller, format 48x96 / 96x96 (1/8 DIN - 1/4 DIN) manufactured using SMT.

The instrument provides a complete operator interface, protected by a Lexan membrane that ensures level IP65 faceplate protection.

It has 4 keys, two green LED displays, each with 4 digits, 4 red indicating LED's for the 4 logic or relay outputs, and a further 3 LED's that are programmable to indicate the various operational states of the instrument.

The main input for the process variable is universal and provides the possibility to connect many types of input sensor: thermocouple type J, K, R, S, T, B, E, N, Ni-Ni18Mo, L; resistance thermometer Pt100 3-wires; thermistor PTC; linear inputs 0-50mV, 10-50mV, 2-10V, 0-10V, 0-20mA, 4-20mA, and potentiometer, all with the possibility of custom linearisation that can be defined using the faceplate keys.

The type of input is selected from the faceplate keys and no external shunts or adapter are required.

It is possible to activate correction of the input using a linear function defined by way of two points on it.

A second auxiliary isolated analogue input is available, which can also be con-

figured for a linear input (0-10V, 2-10V, 0-20mA / 4-20mA), for remote setpoint, potentiometer or current transformer. The auxiliary input function is completely configurable, including the possibility of a custom linearization.

It is possible to configure the 2 available isolated digital inputs for selection of up to 4 local setpoints; start, stop and reset of internal timer; Auto/Man, Loc/Rem functions; alarms memory reset; input hold function.

The instrument can have up to 4 relay (3A/250V) or logic (12Vdc, 20mA) outputs and up to 2 isolated analogue outputs in voltage or current.

The function of each output is completely configurable by faceplate.

The available functions include: control output, alarm output, timer, digital input repetition, retransmission of process value, setpoints, deviation, alarm setpoint or value read from digital communication. The Heat/Cool adjustment offers the possibility of setting the cooling parameters in relation to the type of water, oil or air fluid.

A further isolated output (10 or 24Vdc, 30mA max.) is available for powering external transmitters or potentiometers.

The serial communication interface RS485 (RS232C compatible) makes it possible to read or modify any parameter

and to govern the instrument online (local/remote manual/automatic commutation, internal timer control, direct control of outputs).

Protocols available: MODBUS RTU and CENCAL (Gefran).

Using these it is possible to write to any of the instrument parameters.

All the programming procedures of the instrument are facilitated by the grouping of the parameters in function blocks (**CFG** for the control parameters, **Inp** for the inputs, **Out** for the outputs, etc.) and by the possibility of selecting a simplified menu for entering the most frequently used parameters.

To simplify the configuration even further, a programming kit is available for PC, which includes a menu driven configuration program for Windows and the necessary cable to connect the instrument (see data sheet code WINSTRUM).

TECHNICAL DATA

INPUTS

Accuracy 0,2% f.s. ± 1 digit.

Acquisition of the input signal 120msec.

Decimal point position for linear groups can be set freely.

For inputs from TC, RTD, PTC a decimal figure in the maximum display field (-199,9...999,9).

TC - Thermocouples

J (Fe-CuNi) 0...1000°C / 32...1832°F

K (NiCr-Ni) 0...1300°C / 32...2372°F

R (Pt13Rh-Pt) 0...1750°C / 32...3182°F

S (Pt10Rh-Pt) 0...1750°C / 32...3182°F

T (Cu-CuNi) -200...400°C / -328...752°F

B (Pt30Rh-Pt6Rh) 44...1800°C / 111...3272°F

E (NiCr-CuNi) -100...750°C / -148...1382°F

N (NiCrSi-NiSi) 0...1300°C / 32...2372°F

(Ni-Ni18Mo) 0...1100°C / 32...2012°F

L-GOST (NiCr-CuNi) 0...600°C / 32...1112°F

Custom -1999...9999

RTD 3-wires

Pt100 -200...850°C / -328...1562°F

JPt100 (JIS C 1609/81)

-200...600°C / -328...1112°F

Custom -1999...9999

PTC

(alternative to RTD)

-55...120°C / -67...248°F

Custom -1999...9999

DC - Linear

0...50mV; 10...50mV; 0...20mA

4...20mA; 0...10V; 2...10V

Custom linearisation with 32 segment

Auxiliary input

insulation 1500V

For remote setpoint:

(0...10V, 2...10V, Ri=1M Ω)

(0...20mA, 4...20mA, Ri=5 Ω)

potentiometer > 500 Ω

For current transformer:

CT 50mAac, 50/60Hz, Ri=1,5 Ω

Logic inputs

Insulation 1500V

NPN 24V/4,5mA (PNP 24V/3,6mA)

Configurable function: Man/Auto,

Loc/Rem, Alarms Reset, Hold,

Setpoint selection.

OUTPUTS

Outputs fully configurable for: single alarm, "OR" or "AND" of multiple alarms, logic input repetition.

Relay

With rating: 5A/250V, $\cos\phi=1$

(order code R)

Logic

11Vdc, Rout=220 Ω .=(20mA, max.6V)

(order code D)

Analog retransmission

isolated 1500V

- Up to 2 analogue outputs for control or retransmission (input signal, setpoint, auxiliary input, alarm setpoint).

- Scale range selectable from keyboard.

- Configurable output 0...10Vdc;

0...20/4...20mA

- Resolution 4000 steps

SERIAL LINE

Optoisolated 4-wires

Passive Current Loop configurable (1200

baud) interface, RS232 and RS422/485

(1200, 2400, 4800, 9600, 19200 baud).

Protocol: GEFRAN CENCAL or MODBUS

POWER SUPPLY

Standard: 100 to 240Vac/dc $\pm 10\%$

on request: 20 to 27Vac/dc $\pm 10\%$

50/60Hz; 12Vmax.

Protection by internal fuse not serviceable by the user

Transmitter Supply

isolatedxd 1500V

10/24Vdc max. 30mA short circuit protection

AMBIENT CONDITION

Working temperature range: 0...50°C

Storage temperature range: -20...70°C

Humidity: 20...85%Ur non condensing

Control

Cooling setpoint relative to Heating setpoint

On/Off, P, PD, PID for heating and cooling with configurable parameters.

• Proportional band 0,0...999,9% f.s.

• Integral time 0,0...999,9 min

• Derivative time 0,0...99,99 min

• Max and min control output power limitation: 0,0...100,0%

• Manual Reset -999...999 digit

• Power Reset -100,0...100,0%

• Cycle time 0,1...200sec

• Soft-start 0,0...500,0 min

Alarms

- Up to 3 alarms, settable as absolute, deviation or symmetrical deviation alarm with respect to the control setpoint with configurable function (Hi or Lo).

- The alarm point may be set anywhere within the configured scale.

- Heater Break Alarm

- Loop Break Alarm

- Alarm Hysteresis configurable

- Alarms can be assigned to main input, auxiliary input or control SP.

WEIGHT

400g (1600); 600g (1800) in complete version

FACEPLATE DESCRIPTION

A - PV Display: process variable

B - SV Display: setpoint value

C - "Function" key

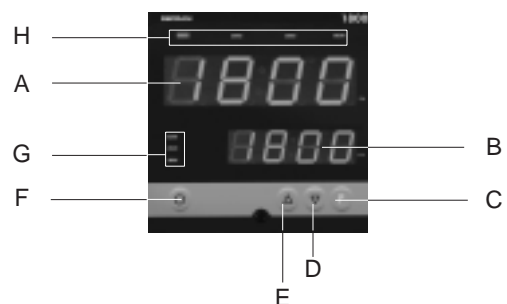
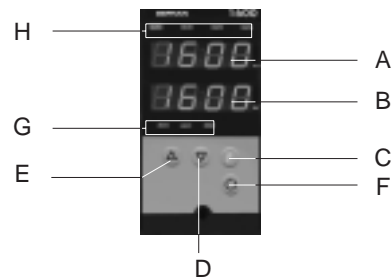
D - "Lower" key

E - "Raise" key

F - "Automatic/Manual" selection

G - Function indication

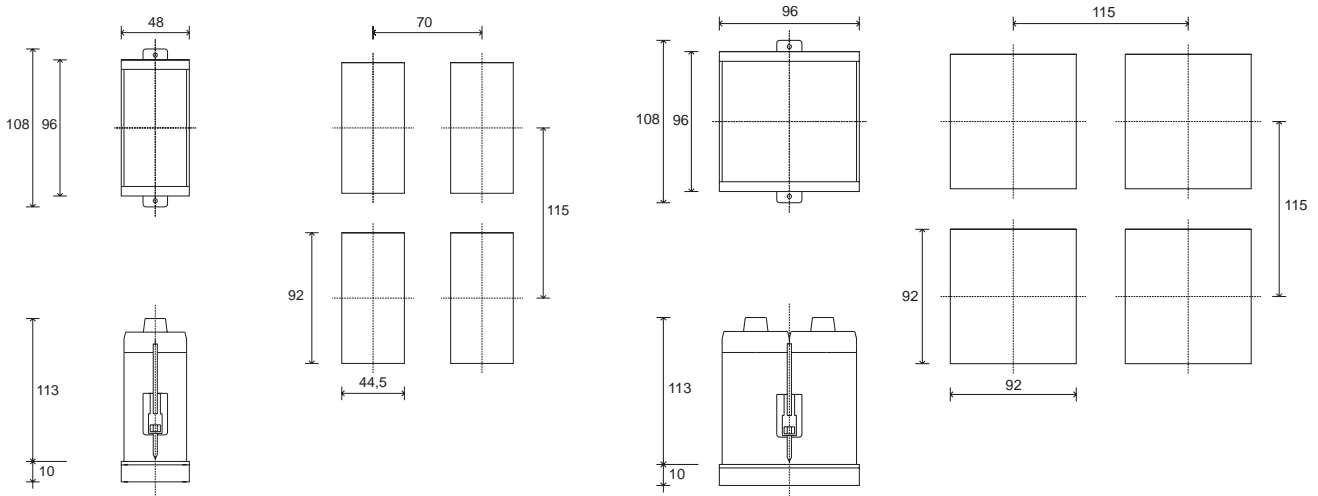
H - Indication of active outputs



Double green LED display (4 Digit)

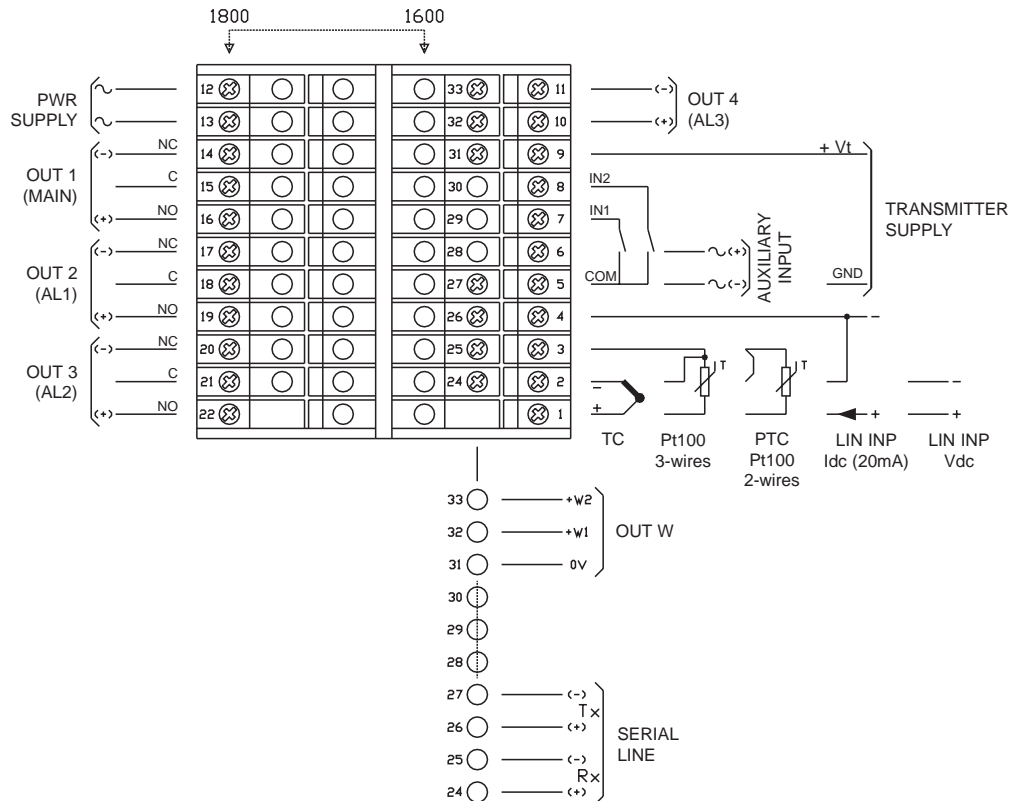
Faceplate protection IP65

DIMENSIONS AND CUT OUT



Dimensions: 48x96mm - 96x96mm (1/8DIN - 1/4DIN), depth 113mm

CONNECTION DIAGRAM



Apply user's manual warnings for a correct installation

ORDER CODE

MODEL	
1600	1600
1800	1800

OUTPUTS 1,2,3,4 (R/D)	
Out1 (D) + Out2 (R) + Out3 (R)	DRR0
Out1 (D) + Out2 (R) + Out3 (R) + Out4 (R)	DRRR
Out1 (D) + Out2 (R) + Out3 (R) + Out4 (D)	DRRD
Out1 (R) + Out2 (R) + Out3 (R)	RRR0
Out1 (R) + Out2 (R) + Out3 (R) + Out4 (R)	RRRR
Out1 (R) + Out2 (R) + Out3 (R) + Out4 (D)	RRRD

OUTPUTS 5, 6	
None	00
OUT 5 (W1) 0...10V	V0
OUT 5 (W1) 0/4...20mA	I0
OUT 5 (W1) 0...10V OUT 6 (W2) 0...10V	VV
OUT 5 (W1) 0/4...20mA OUT 6 (W2) 0...10V	IV
OUT 5 (W1) 0/4...20mA OUT 6 (W2) 0/4...20mA	II

POWER SUPPLY	
0	20...27Vac/dc
1	100...240Vac/dc




DIGITAL COMMUNICATIONS	
0	None
2	RS 485 / RS 232

AUXILIARY INPUTS INSPR, INTA / LOGIC IN1, IN2 / TRANSMITTER SUPPLY	
00	None
01	IN1, IN2 NPN/PNP
03	Trasmitter Supply 10 V/24V
04	IN1, IN2 NPN/PNP + Trasmitter Supply 10 V/24V
06	IN SPR (0...1V) + Trasmitter Supply 10 V/24V
07	IN SPR (0...10V) / IN Potentiometer # + Trasmitter Supply 10 V/24V
08	IN SPR (0/4...20mA) + Trasmitter Supply 10 V/24V
09	IN TA (5050mAac) + Trasmitter Supply 10 V/24V
10	IN1, IN2 NPN/PNP IN SPR (0...10V) + Trasmitter Supply 10V/24V
11	IN1, IN2 NPN/PNP IN SPR (0...10V) / IN Potentiometer # + Trasmitter Supply 10V / 24V
12	IN1, IN2 NPN/PNP IN SPR (0/4...20mA) + Trasmitter Supply 10V/24V
13	IN1, IN2 NPN/PNP IN TA (50mAac.) + Trasmitter Supply 10V/24V
33	IN SPR (0...1V)
34	IN SPR (0...10V) / Potentiometer #
35	IN SPR (0/4...20mA)
36	IN TA (50mAac)

Potentiometer input requires 10V Trasmitter Supply
Make specific calibration request for PTC input.

Kindly contact GEFRAN for information on available codes.

GEFRAN spa reserves the right to make any kind of design or functional modification at any moment without prior notice.

	Conformity C/UL/US File no. E216851
	In conformity to ECC 89/336/CEE and 73/23/CEE with reference to standards: EN 61000-6-2 (immunity in industrial environment) - EN 61000-6-3 (emission in residential environment) - EN 61010-1 (safety)
	C - TICK

GEFRAN

GEFRAN spa via Sebina, 74 - 25050 Provaglio d'Iseo (BS)
Tel. 03098881 - fax 0309839063 - Internet: <http://www.gefran.com>

DTS_1600/1800_0408_ENG